

# SEMI-AUTOMATIC

# TRAFFIC BOLLARDS

drill drive



RELIABLE AND COST-EFFECTIVE SOLUTION TO  
PROVIDE 100% SECURITY OF YOUR TERRITORY

TISO drill drive bollards intend to fit installations without power supply availability. The operation principle determined by the drill impact, which gets blocking segment up or down according to screw direction. This solution is intends to manage traffic of low intensity and featured with outstanding lifetime, due to lack of consumables in its operation and design concept. The range is classified according to by tube's material, diameter, and rising height of blocking segment.

#### Installation areas

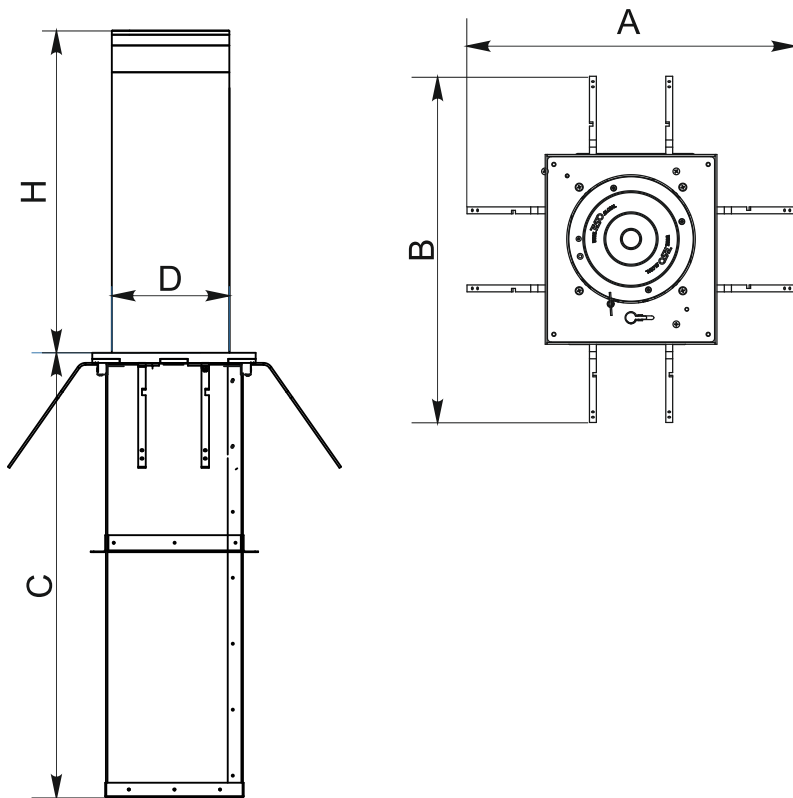
- Governmental Institutions
- Military Bases
- Nuclear Power Plants
- Production sites (Industrial Plants)
- Commercial areas
- Financial institutions
- Airport Premises
- Business (Office) Center
- Hotels
- Sport Complexes
- Recreation areas
- Urban areas
- Education Institutions



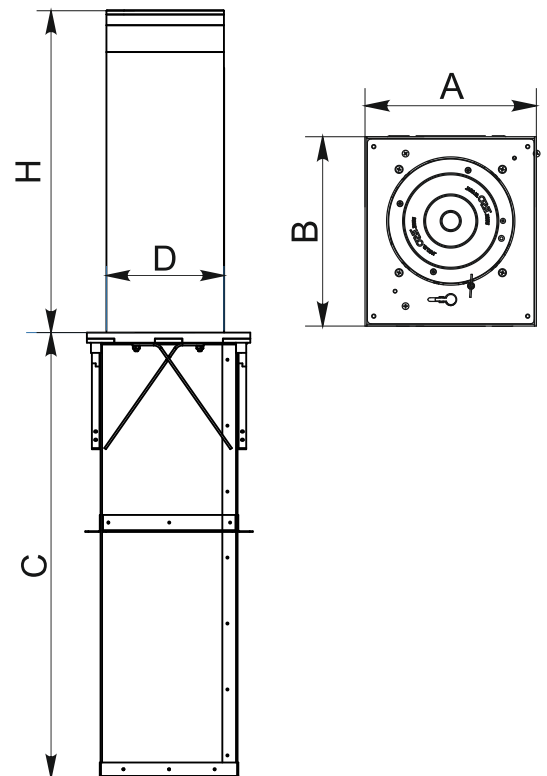
www.tiso.global  
+380 (44) 291-21-11  
e-mail: sales@tiso.global



Overall dimensions of the bollard with raised foundation anchors



Overall dimensions of the bollard with lowered foundation anchors



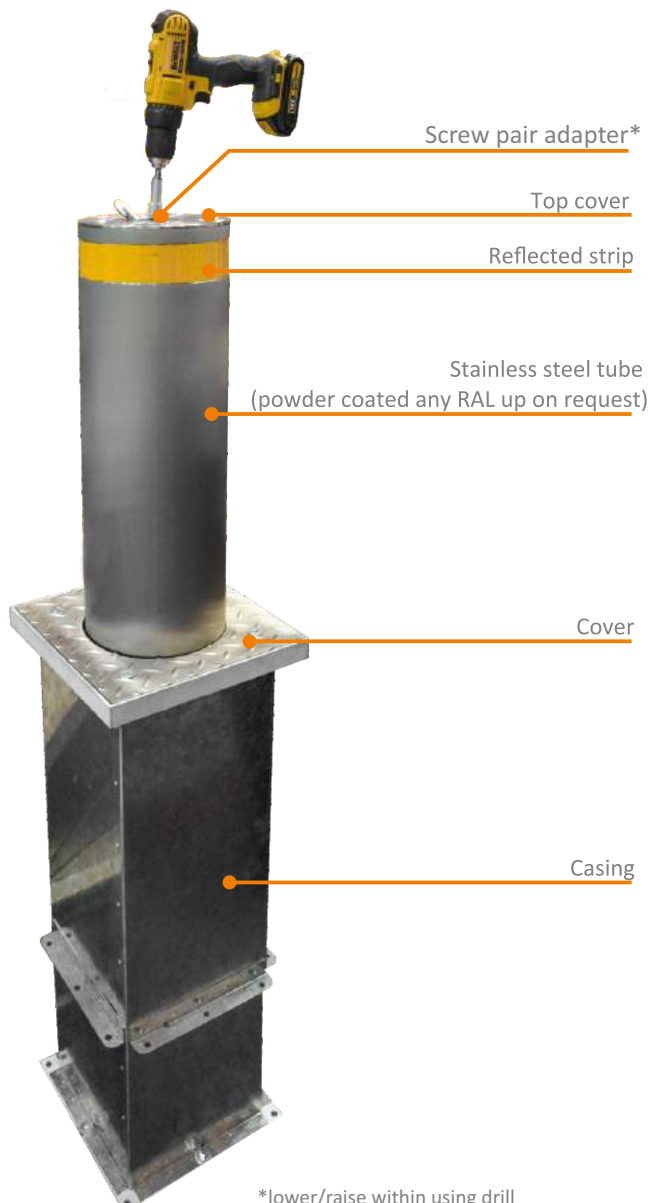
**TECHNICAL SPECS\*:**

Model	RB343-03	RB343-01	RB343-02	RB343-06	RB343-04	RB343-05
Drive	Screw pair					
Tube diameter (D), mm	114	220	273	114	220	273
Tube height (H), mm	600			800		
Foundation case dimensions (AxBxC), mm						
• with lowered anchors	270x310x878	330x380x878	374x413x878	270x310x1078	330x380x1078	374x413x1078
• with raised anchors	610x650x878	671x721x878	715x754x878	610x650x1078	671x721x1078	715x754x1078
Operation temperatures**, °C	-40 / +60					
Tube material	Brushed stainless steel AISI 304 Brushed stainless steel AISI 316 Galvanized and powder coated tube (any RAL up on request)					

\*technical data is subject to change without notice

\*\*for temperatures lower than -10 °C use the heating device; for temperatures higher than +40 °C use the cooler device





### Standard kit

- Reflective tape
- Drill adapter
- Bollard in assembly
- Installation casing

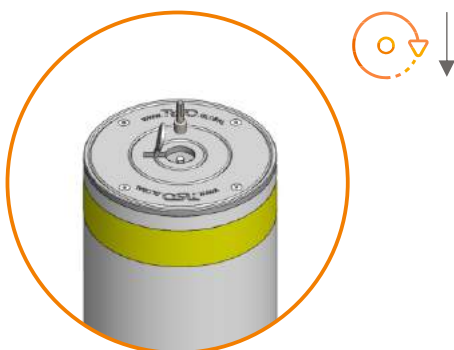


### Options

- LED indication
- Sound signal
- Any RAL color
- Additional keys
- Traffic lights
- Anti-vandal screws

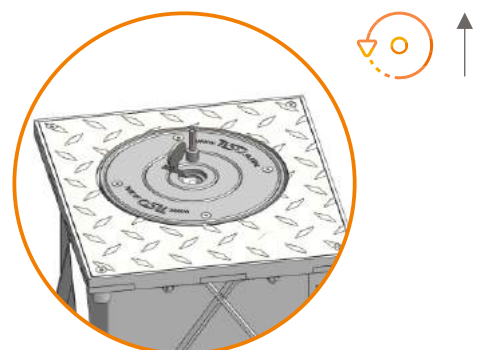


### Opening of access



Turn the drill adapter clockwise to lowered the bollard

### Closing of access



Turn the drill adapter contraclockwise to raised the bollard